

MODEL	PPR	LINE DRIVER	SHAFT SIZE	CONNECTOR	WIRING EXIT	FLANGE STYLE	HOUSING SIZE	SEALS	CHANNEL	MOD CODE	
AV4	BA - 30 AA - 32 AK - 80 BC - 100 AH - 120 AC - 128 AM - 200 AL - 240 AN - 256 AE - 360 AG - 400 AB - 480 AQ - 500 AR - 512 AS - 600 AP - 720	AJ - 960 AW - 1000 AY - 1024 AZ - 1200 AV - 1440 AU - 1800 A3 - 2000 A4 - 2048 AT - 3072 A6 - 3600 AD - 4096 A8 - 4800 A9 - 5000 CB - 10000 CA - 12700	1 - 5-30V In & Out 4 - 5-30V In / 5V Out	C - 10mm OD x 20mm long w/ flat	W - 3ft (1m) Cable	A - Axial (end) R - Radial (side)	7 - 42mm HD 316 SST Round Flange, 42mm Pilot, 4x M4 on 35mm BC	4 - 42mm (SST)	K - IP69K Seals	A - All Channels (A,/A,B,/B,Z,/Z)	000 - NONE 905 - 5' [1.5m] cable 915 - 15' [3m] cable 930 - 30' [9m] cable

### SPECIFICATIONS

**Operating Power:**

Volts: 5 - 30 V DC; Current: 140 mA @ 5V, 70 mA @ 10 V DC, 40 mA @ 24 V DC, no load

**Output Format:**

A Quad B with marker (A, /A, B, /B, Z, /Z)

**Frequency Range:**

0 to 1 mHz

**PPR:**

1 - 16,384 Standard (for other PPR needs consult factory)

**Speed:**

6000 RPM Max., (for higher speeds, consult factory)

**Axial Load:**

9 lb [40 N], Radial 25 lb [110 N]

**Max. Temperature:**

-40° to 85°C

**Environment:**

up to IP69K (when provided with shaft seals, SST housing)

**Vibration:**

10 G (10 Hz – 1000 Hz, EN 60068-2-6)

**Shock:**

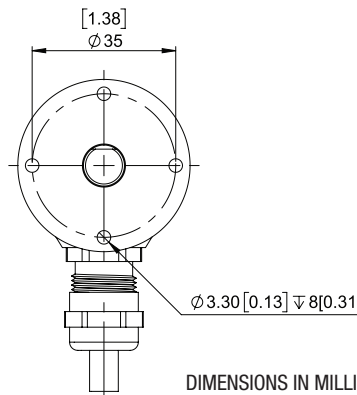
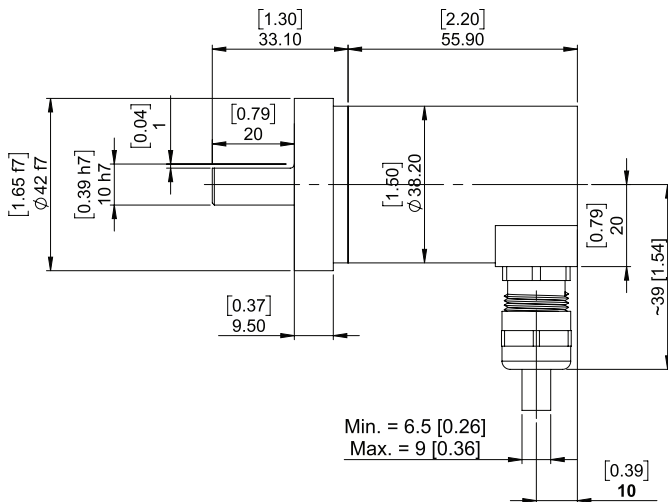
100 G (half sine 6 ms, EN 60068-2-27)

WIRING OUTPUT		
Encoder Wiring	GREEN	A
	YELLOW	/A
	GREY	B
	PINK	/B
	BLUE	Z
	RED	/Z
	BROWN	+V
	WHITE	COM/GND
	SHIELD	

Line Driver (Output Option 1, 4)  
 DIFFERENTIAL TWO PHASE WIRING APPLICATIONS



### 42mm SST Round Flange, 42mm Pilot, 4x M4 on 35mm BC



DIMENSIONS IN MILLIMETERS [INCHES]

Features and specifications subject to change without notice.

Nidec Industrial Solutions' standard warranty applies.

All dimensions approximate.